



Smart Security IP Intercom S10P User Manual



Copyright and Disclaimer

Copyright

Any enterprises or individuals cannot extract, copy and spread in any form of this document without our written permission. In accordance with the law, copying includes translating the document into other languages or converting into other formats. When this document is transmitted in network media, Sahabtec allows downloading or printing for private use. Any parts of the document are not allowed to be modified or used for commercial purposes. Sahabtec will not assume any responsibility for the injuries and losses caused by any unauthorized modification or conversion of the document.

Declaration

Information regarding this guide is subject to change without any notice.

This manual provides accurate statement, information and recommendation to the largest extent, but will not guarantee any expresses or implies. Users should take full responsibility for the application of products. Sahabtec will not make any guarantee for this manual, including but not limited to warranties for implies merchantability and particular purposes. Sahabtec not assume any responsibility for indirect or consequential loss caused by the misuse of this manual.

About this manual

Thank you for choosing Smart Security IP Intercom S10P. This IP Intercom is specially designed for the user under the public environment with fashionable appearance and complete functions. This manual aims to help you quickly use Smart Security IP Intercom S10P. Before use, please read the packing list and safety notes section of this manual, communicate with the system administrator to confirm if the current network environment can meet the requirements of configuring the Intercom. If this is your first time to use Smart Security IP Intercom S10P, we recommend that you should read the quick installation guide and product technical manual. The document can be downloaded from the following website: <http://www.sahabtec.com>.

Summary

Copyright and Disclaimer	2
Summary	3
1. Getting Started.....	4
1.1 Outline	4
1.2 Product Features	4
1.3 Technical Information	5
2. Intercom Installation	6
2.1 Embedded.....	6
2.2 Equipment installation.....	8
3. Configuration of IP intercom.....	9
3.1 Remote WEB Management	9
3.2 Network	11
3.2.1 LAN Setting	11
3.3 SIP Account	12
3.4 Programmable keys	14
3.5 Voice	14
3.6 Phone Book	16
3.7 Advanced Setting.....	16
3.7.1 Intercom Setting.....	16
3.7.2 VLAN Setting.....	17
3.7.3 VPN Setting.....	17
3.8 Maintenance	18
3.8.1 Log.....	18
3.8.2 Password	18
3.8.3 Factory reset.....	19
3.8.4 Auto Provision	19
3.8.5 TR069 Upgrade	20
3.8.6 FTP Upgrade.....	21
3.8.8 TFTP Upgrade	22
3.8.9 HTTP Upgrade.....	22
3.8.10 Reboot.....	23
3.9 Intercom Status	23
3.10 System Info.....	24
3.11 Language	25

4. Brief pictures for application environment.....25
 4.1 Door security system application.....25
 4.2 Fire protection system application.....26

1. Getting Started

1.1 Outline





Xontel security intercom series IP Intercom S10P is well developed according to customers requirements based on VOIP Phone. It has Fashion classic aluminum wire drawing surface shell with the design of waterproof, dustproof, anti-dismantle. The traits of strong compatibility and supporting extra access swiping card device make it perfectly to be used in bank, subway, power plant, mine, prison, steel companies and so on. It is the best choice and highly cost effective for customers' projects requirements in this industry.

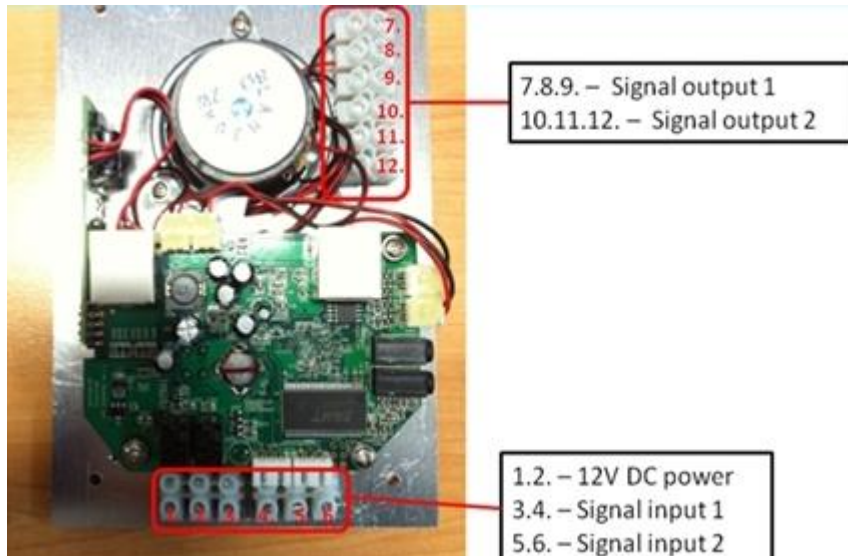
1.2 Product Features

- One key to dial emergency call for help, realize the bi-directional full-duplex voice intercom.
- Panel adopts advanced wire drawing aluminum alloy material, high strength damage resistant button, strong and durable.
- Support POE power supply and the external power supply.
- Embedded wall or mounted in the wall, to avoid cable leakage users, to ensure that the internal network information security, provide and remote configuration.
- Built-in speaker and high sensitive microphone, support hand-free calls and receive emergency broadcast
- Adopted seal design, waterproof and dustproof level is IP65.
- Support extra access security device, multi-functions provide more perfect service to industry customers.



1.3 Technical Information

Intercom features
WEB support Multi-Language ;1 SIP account, Hotline;Call hold, Call waiting, Call forward;Call transfer (blind/busy/ask);Mute, DND;Auto-answer, 3-way conferencing;1 DSS programmable key(Speed dial, Intercom etc.);Volume control;Direct IP call without SIP proxy;Default Ring tone 1 selection/import/delete;Custom Warning Ring tone 2 selection/import/delete;Time setting(SNTP/SIP Server/Manual);Support SIP main/standby server;
Network parameters
SIP v1 (RFC2543), v2 (RFC3261);DNS SRV (RFC3263);NAT Traversal: STUN mode;DTMF: In-Band, RFC2833, SIP Info, Auto;HTTP/HTTPS Web Management;IP Assignment: Static/DHCP/PPPoE;Network support Bridge mode; TFTP/DHCP/PPPoE client;DNS client, NAT/DHCP server;
Security
LLDP, VLAN QoS (802.1pq),VPN(L2TP);Transport Layer Security (TLS);Digest authentication using MD5/MD5-sess;Secure configuration file via AES encryption;Phone lock for personal privacy protection;Admin/User 2-level configuration mode;
Voice features
Wideband Codec: G.722;Narrowband codec: G.711 μ /A, G.723.1;G.726, G.729a/b, iLBC;VAD, CNG, AEC, AGC;Full-duplex;
Physical properties
1 DSS programmable key(Speed dial, Intercom etc.);1 LED lights;1 light touch button(Remote factory value);1xRJ45 10/100M Ethernet ports;Power adapter: AC 100~240V input and;DC 12V/1A output;Power over Ethernet ,IEEE 802.3af,class 0;Net weight: 0.52KG, Gross weight: 0.65KG; Each motherboard port, check the picture illustration below "Mother Broad Interface".
Carton packaging
The whole Size : 162*112*40mm
Product Certification
   
Platform Compatibility Test (non-certificate)
ZTE/Alcatel-Lucent/Asterisk/Broadsoft/Metaswitch/Yeastar/Avaya/3CX/Elastix/HUAWEI etc.



Mother Broad Interface

*This data is for information purposes only and is subject to change without notice.

2. Intercom Installation

Generally system administrator will connect your new S10P IP Intercom to company LAN network. If not, please refer to below illustration.

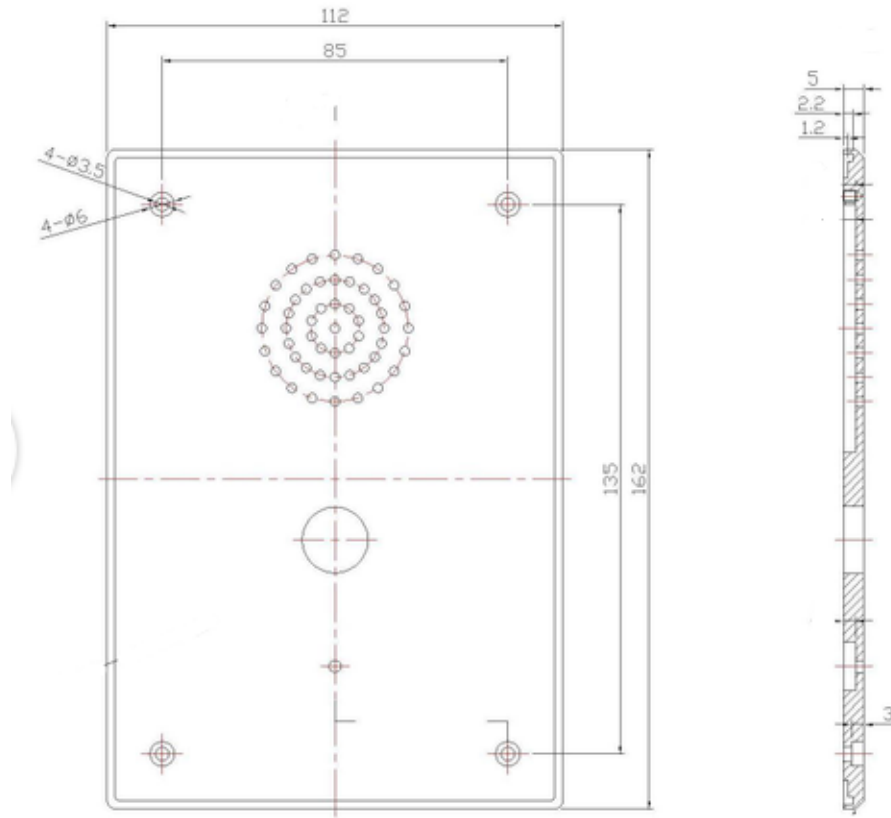
Open S10P packing box, according to the packing list, check the related attachment to make sure to no omitting. Packing list as follows.

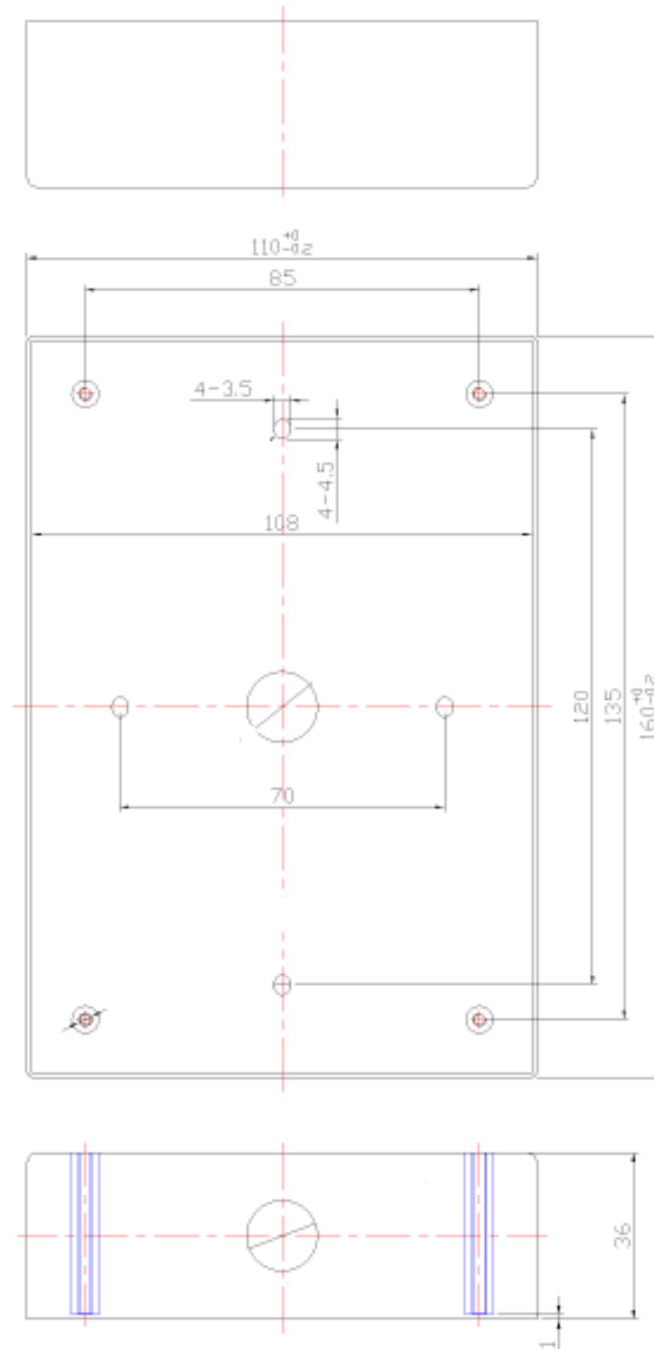
- S10P Intercom
- Quick operating guide
- 8*Screws
- 2*Rubbers

S10P could be installed to internet according to the below steps.

2.1 Embedded

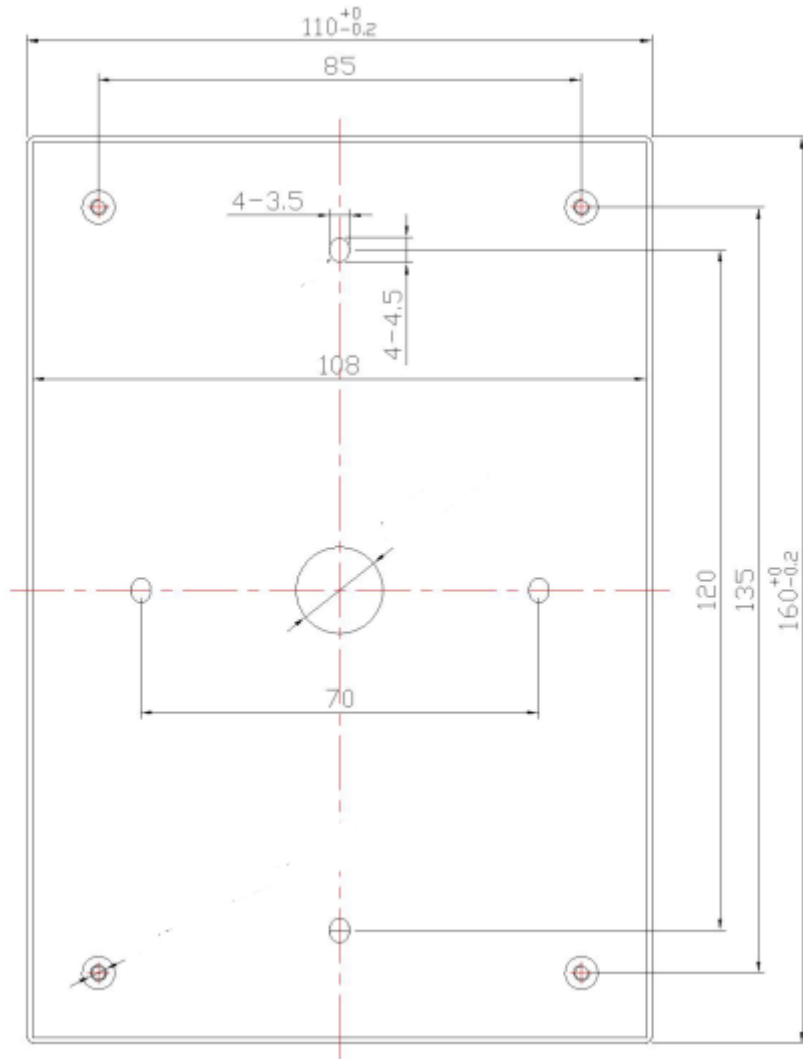
If the product is used for embedding, then the cutting of embedded need to be a little bigger than the installing hole of standard dimension 168*116*42mm .(42mm means the extra aluminum housing thickness.),as follows. Notice: the embedded value is up to the actual situation.





2.2 Equipment installation

- 1、 Open the aluminum housing.
- 2、 Put the IP intercom into it according to the cutting embedded specification. After that, fix four M3*12 screws on the wall with the screw driver.



3. After installing inter housing, well-set the related wiring and replace the aluminum housing. Power on and start testing.

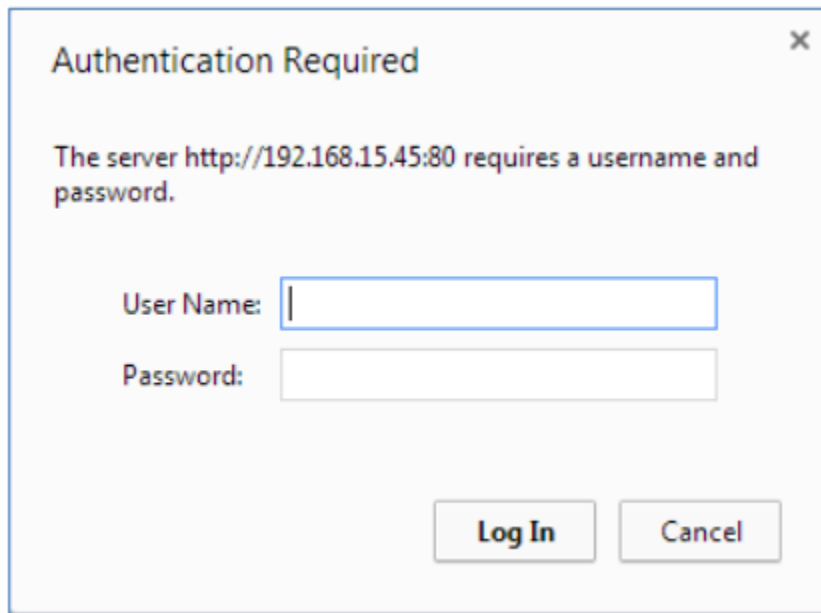
3. Configuration of IP intercom

You need to know the IP address of IP Intercom before starting setting. You could learn how to get IP address below. Default IP address is 192.168.1.153.in static status. If getting from DHCP, you need to search the related IP address by the third software scanning equipment MAC. (Getting IP by DHCP is not suggested.)

3.1 Remote WEB Management

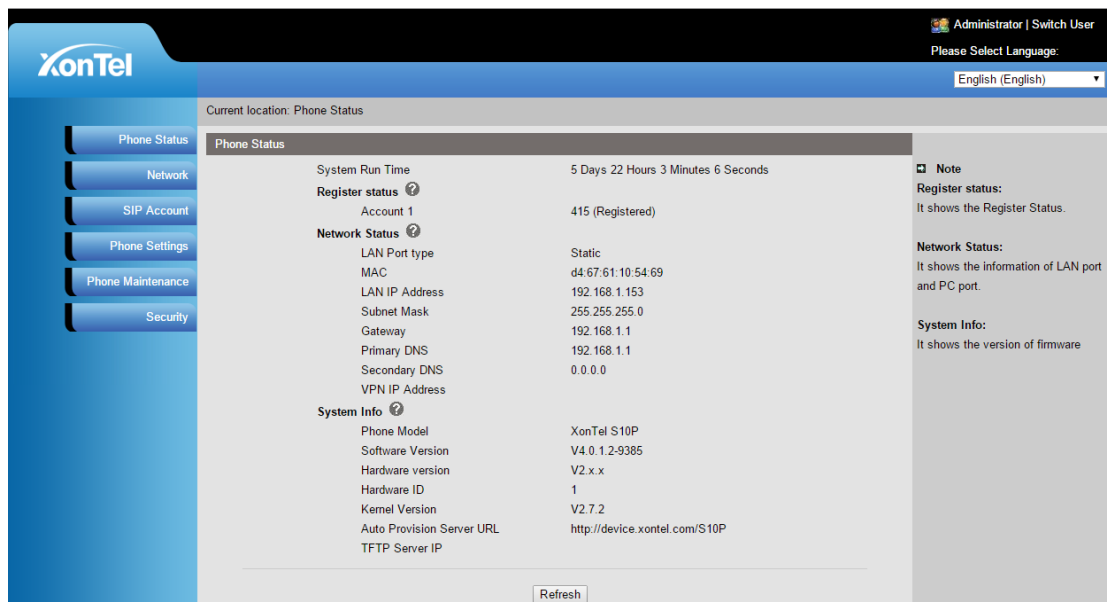
Once input the IP address of intercom on the web browser and tap the “enter” on the

keyboard. Then a login screen will pop up from the intercom equipment. You need to input user name and password. Both default user name and password of system is case letters "root"



The image shows a dialog box titled "Authentication Required" with a close button (X) in the top right corner. The message inside reads: "The server http://192.168.15.45:80 requires a username and password." Below the message are two input fields: "User Name:" and "Password:". At the bottom of the dialog are two buttons: "Log In" and "Cancel".

After the log-in , the administrate web page of the intercom will pop up.



The image displays the XonTel administrative web interface. The top navigation bar includes the XonTel logo, the user role "Administrator | Switch User", and a language selection dropdown set to "English (English)". The main content area is titled "Phone Status" and contains a table of system parameters:

System Run Time	5 Days 22 Hours 3 Minutes 6 Seconds
Register status ⓘ	
Account 1	415 (Registered)
Network Status ⓘ	
LAN Port type	Static
MAC	d4:67:61:10:54:69
LAN IP Address	192.168.1.153
Subnet Mask	255.255.255.0
Gateway	192.168.1.1
Primary DNS	192.168.1.1
Secondary DNS	0.0.0.0
VPN IP Address	
System Info ⓘ	
Phone Model	XonTel S10P
Software Version	V4.0.1.2-9385
Hardware version	V2.x.x
Hardware ID	1
Kernel Version	V2.7.2
Auto Provision Server URL	http://device.xontel.com/S10P
TFTP Server IP	

On the right side of the page, there are three informational sections: "Note" (Register status: It shows the Register Status.), "Network Status:" (It shows the information of LAN port and PC port.), and "System Info:" (It shows the version of firmware). A "Refresh" button is located at the bottom center of the main content area.

The setting and parameter of each option will be described as follow.

3.2 Network

This option is used for the network setting, please notice that you could set the LAN and VPN.

3.2.1 LAN Setting

This option is used for setting speaker IP, as shown below.

LAN Port

IP settings

DHCP

 Hostname(Option 12):

 Manufacturer(Option 60):

Static IP

 IP Address:

 Netmask:

 Gateway:

PPPoE

 Username:

 Password:

 MTU: Default: 1500

DNS Settings

Automatic

Manual DNS

 Primary DNS:

 Secondary DNS:

MAC Address

 MAC Address: 00:26:8b:ac:03:f1

Port Management Settings

 HTTP Port:

 Telnet Port:

Socket5 Proxy Server

 Socket5 Proxy Server: off on

 Server IP: *

 Port: *

Anonymous Login:

Username:

Password:

Paging Setting

Paging 1: off on
Group IP: Port:

Paging 2: off on
Group IP: Port:

Paging 3: off on
Group IP: Port:

Paging 4: off on
Group IP: Port:

Paging 5: off on
Group IP: Port:

Please Note: Changing the default HTTP Port (80) will require using the new port number to access the IP phone web interface. Please note that changes require a reboot. Use the following format when not using the default HTTP (http://ip address:portnumner).

3.3 SIP Account

SAHABTEC IP Intercom can be set up one SIP account. Account's user name, password and server address are mandatory. If all the information filled is valid and correct, then register will be launched from SIP server after submitting and saving.

Account1

SIP Settings

Enable:

Account Mode:

Display Name:

Username: *

Authenticate Name:

Password: *

Label:

SIP Server:

Secondary server:

OutboundProxy Server:

Secondary OutboundProxy Server:

Polling Interval Time Of Registration: s Default Value: 32s, Range: 20s~60s

NAT Traversal:

STUN Server:

BLA: off on

BLA Number:

Call Method: SIP TEL

Subscribe Period: Default: 1800s, Min: 120s

Register Expire Time: Default: 3600s, Min: 40s

DNS-SRV: off on

SIP Transport: UDP TCP TLS

Call

Amount Of Line Account Used: (Default: 2)

Do Not Disturb: off on

Anonymous Call:	<input checked="" type="radio"/> off <input type="radio"/> on
Anonymous Call Rejection:	<input checked="" type="radio"/> off <input type="radio"/> on
Use Session Timer:	<input checked="" type="radio"/> off <input type="radio"/> on
Session Timer:	<input type="text" value="300"/> (min:30s)
Refresher:	<input type="text" value="UAS"/> ▼
Allow-events:	<input checked="" type="radio"/> off <input type="radio"/> on
Registered NAT:	<input type="radio"/> off <input checked="" type="radio"/> on
Ring Type:	<input type="text" value="None"/> ▼
UDP Keep-alive Message:	<input checked="" type="radio"/> off <input type="radio"/> on
UDP Keep-alive Interval:	<input type="text" value="30"/> (15-60s)
Security	
SIP Encryption:	<input checked="" type="radio"/> off <input type="radio"/> on
RTP Encryption:	<input checked="" type="radio"/> off <input type="radio"/> on
Encryption Algorithm:	<input type="text" value="RC4"/> ▼
Encryption Key:	<input type="text"/>
<input type="button" value="Submit"/>	

3.4 Programmable keys

This function is reserved for the future.

3.5 Voice

You can manage the speaker volume ranks and microphones which showed in the following table. Please note that in most cases, if you open the microphone and switch to level 7, then don't use speaker volume more than level 4, unless you can ensure that your coverage is small or noise reduction level is high.

Audio

Tone

Select Country: United States ▼ Ring Volume(0~9): 3

Begin Time: 20 Hour - Ring Volume in Night(0~9): 3

8 Hour

Output Volume (1~9) **Input Volume(1~7)**

Handset Volume: 5 Handset Mic Volume: 3

SpeakerPhone Volume: 5 SpeakerPhone Mic Volume: 3

Headset volume: 5 Headset Mic Volume: 3

Voice Codec

Payload Length: 20 ▼ ms High Rate of G723.1:

Jitter Buffer

Type: Adaptive Fixed

Min Delay: 60 Max Delay: 500

Other

VAD: Echo Suppression Mode:

SideTone:

Ring

Ring Type: Ring1 ▼ Delete

Ring Type2: Ring1 ▼

Uploading Ring

Tone

Browse...

Upload
Cancel

(Please upload a ring tone with G711A audio coding, Maximum 10 rings and the total sizes must less than 150k.)

Audio Codecs: Up Down

G722
G711A
G711U
G729A
G723

<<
>>

iLBC
G726_32

disableCode

Submit

3.6 Phone Book

This function is reserved for the future.

3.7 Advanced Setting

In advanced configuration, system parameters are the main points, other options, such as web dial-up, dialing rules, IP filtering strategy, ring tones, certificate management and global server, etc., most are reserved function which could be ignored.

3.7.1 Intercom Setting

System parameters can be configured IP Intercom’s basic configuration, PSTN Settings (reserved), QoS, call related, VoIP call forward, time Settings, and others. The commonly used functions in the option below are mainly introduced. Other functions do not be arbitrarily changed.

3.7.1.1 Switch signal output

Switch signal output 1 ~ 2 which can be controlled by multiple variables, the monitoring server message control is define variable which can coordinate and adjust to be compatible with the special requirements of some particular platform.

Phone Setting

Basic

OutPut1: Press Key InPut1 InPut2 Server Control

OutPut2: Press Key InPut1 InPut2 Server Control

3.7.1.2 Hot Line

Hotline function is the goal of emergency button on the panel paging, default to hotline immediately. Of course, it can be sent by different ways according to different environment.

Hot Line Function: off Immediately Hot Line Delay s (5-30)

Hot Number:

3.7.1.3 Time Setting

IP Intercom’s time access can be SNTP, manual setting and update at the SIP server

below, PSTN is reserved options.

Set Time Mode: Sntp SIP Server PSTN Manual

3.7.2 VLAN Setting

When IP Intercom's application environment involves the VLAN, the below operating will guide you how to use.

VLAN Setting

LAN Port	PC Port
Enable VLAN: <input type="checkbox"/>	Enable VLAN: <input type="checkbox"/>
VID: <input type="text" value="0"/> (0~4094)	VID: <input type="text" value="0"/> (0~4094)
Priority: <input type="text" value="0"/> (0~7)	Priority: <input type="text" value="0"/> (0~7)

3.7.3 VPN Setting

When IP Intercom's application environment involves the VPN, the below operating will guide you how to use.

VPN Setting

Enable VPN:

VPN Type:

L2TP

VPN Server Addr:

VPN User Name:

VPN Password:

OPEN VPN

Attention: The trusted certs dir is /mnt/sip/vpn/

Upload VPN Config:

3.8 Maintenance

This part mainly introduces some maintenance method. According to the below, you can reconfigure Intercom IP Phone or view Intercom IP Phone log to gain more information about maintenance.

3.8.1 Log

For most famous systems, log document will offer the record born by behavior change of Intercom IP Phone. Log document information contains the question you need to investigate. It can upload log document to the appointed Server as you need to gain information from it.

Log

No Record

Call: Error Level

SIP

LCD

Log send to server: off on

Log Server Address: : 514

Capture Packet: Start End Download

Submit

3.8.2 Password

If you need to change the default password of Intercom IP Phone, so you need to configure password information. Please note that password modification to ensure safety rather than distribute to anyone, unless they allows you to interact with the Intercom IP Phone.

Password

Username:

Old Password:

New Password:

Confirm Password:

Administrator User

3.8.3 Factory reset

The following will direct you how to reset the factory default. Please note that factory reset will erase all original configuration information, so be cautious to use this function. IP address will recover to be default: 192.168.1.153.

Default Setting

When click this button this equipment will restore to the default status

Pay Attention: It will take effect on next reboot.

3.8.4 Auto Provision

Intercom IP Phone's automatic update feature is that it automatically read related configuration files from the server, thus to replace manual update operations. The following will illustrate related operations, such as the server name or address, verify the user name and password (optional), inspection cycle, reboot detection, etc.

Auto Provision

Auto Provision: on off

Option: (Default :66, Min:1, Max:254)

Protocol: ▼

Software Server URL:

Username:

Password:

Auto Download Software

Auto Download Kernel

Auto Download Config File

Broadsoft Compatiblity

Auto Download Expansion

Auto Download Enterprise Phonebook

Auto Download Personal Phonebook

Booting Checked

Disable the phone while booting checking: off on

Auto Provision Frequency: Hour (Default :7 days, Max:30 days)

Auto Provision Time: ▼

Auto Provision Next Time: Thu Apr 10 20:28:59 2014

AES Enable: off on

AES Key:

3.8.5 TR069 Upgrade

This function will cooperate with telecom IMS platform to use. Please follow below.

TR069

Cwmp Enable

Protocol:

Cwmp Host URL:

Cwmp Port:

Serial Number: 00100400YJ012050000000268bac03f1

Username:

Password:

Password

New Password:

Confirm Password:

3.8.6 FTP Upgrade

The following will direct you when you use FTP to upgrade.

FTP Upgrade (Attention: Do not cut off the electricity when Upgrade!!)

Server IP:

Filename:

Username:

Password:

Software Upgrade:

Kernel Upgrade:

Note: It's no necessary to input filename when backup.

Configuration:

Phone Book:

EXT Module:

3.8.8 TFTP Upgrade

The following will direct you when you use TFTP to upgrade.

TFTP Upgrade (Attention: Do not cut off the electricity when Upgrade!!)

Server IP:

Filename:

Software Upgrade:

Kernel Upgrade:

Note: It's no necessary to input filename when backup.

Configuration:

Phone Book:

EXT Module:

3.8.9 HTTP Upgrade

The following will direct you when you use HTTP to upgrade.

HTTP Upgrade (Attention: Do not cut off the electricity when Upgrade!!)

HTTP Upgrade:

Select a File:

Software Upgrade:

Kernel Upgrade:

Configuration:

XML PhoneBook:

Vcard:

EXT Module:

Log:

All Config File:

3.8.10 Reboot

The following will direct you if rebooting Intercom. Please note that do not reboot unless hooking or no reaction situations which is rare occurrence.

Reboot

Attention: When click this button this equipment will be reboot, web service will be interred, please connect again.

3.9 Intercom Status

The following will direct you information of system operation working time, account registration status and network setting

Phone Status

System Run Time 0 Day0 Hour25 Minute46 Second

Register status

 Account1: **None**

Network Status

 LAN Connection: Static

 LAN IP Address: 192.168.1.153

 Netmask: 255.255.255.0

 Gateway: 192.168.1.1

 Primary DNS: 192.168.0.1

 Secondary DNS: 0.0.0.0

 VPN IP Address:

 PC IP Address:

 PC Netmask:

 Device Type: Bridge

 DHCP Server: off

Hardware

 Hardware ID: 1

Refresh

3.10 System Info

The following will direct you equipment name, software/hardware version No, kernel version No. and related server address.

System Info

 Phone Model: IS710

 Software Version: V3.0.0.0-4788

 Hardware Version: V2.x.x

 Kernel Version: V2.6.1

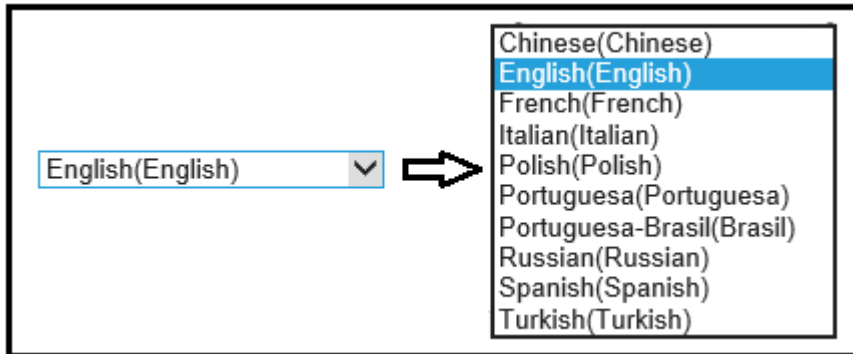
 AutoProvision Server URL: voip.autoprovision.com

 TFTP Server IP: voip.autoprovision.com

Refresh

3.11 Language

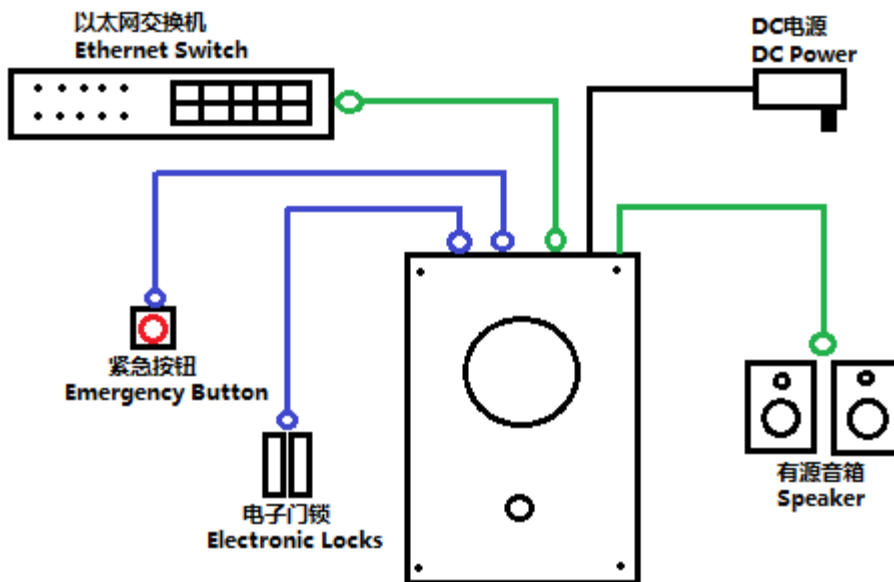
The following will direct you how you to change language with the intercom.



4. Brief pictures for application environment

The following pictures introduce the practical application of IP intercom. Take door security and fire protection for example. More compatibility application is subject to actual test.

4.1 Door security system application



4.2 Fire protection system application

